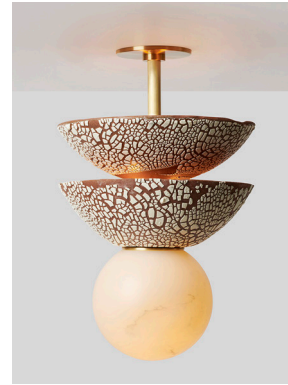


ROSIE LI



Pilar Round Alabaster Pendant - Double Installation Instructions

SAFETY

THIS PRODUCT MUST BE INSTALLED IN ACCORDANCE WITH THE APPLICABLE INSTALLATION CODE BY A PERSON FAMILIAR WITH THE CONSTRUCTION AND OPERATION OF THE PRODUCT AND THE HAZARDS INVOLVED

BE SURE THE ELECTRICITY TO THE WIRES YOU ARE WORKING ON IS SHUT OFF; EITHER THE FUSE IS REMOVED OR THE CIRCUIT BREAKER IS TURNED OFF. TURNING THE POWER OFF USING THE LIGHT SWITCH IS NOT SUFFICIENT TO PREVENT ELECTRICAL SHOCK.

WARNING! – TO REDUCE THE RISK OF FIRE, ELECTRIC SHOCK, OR PERSONAL INJURY:

Turn off/unplug lamp and allow to cool before replacing bulb.

Do not look directly at lighted bulb.

Keep materials that burn easily away from lighted bulb.

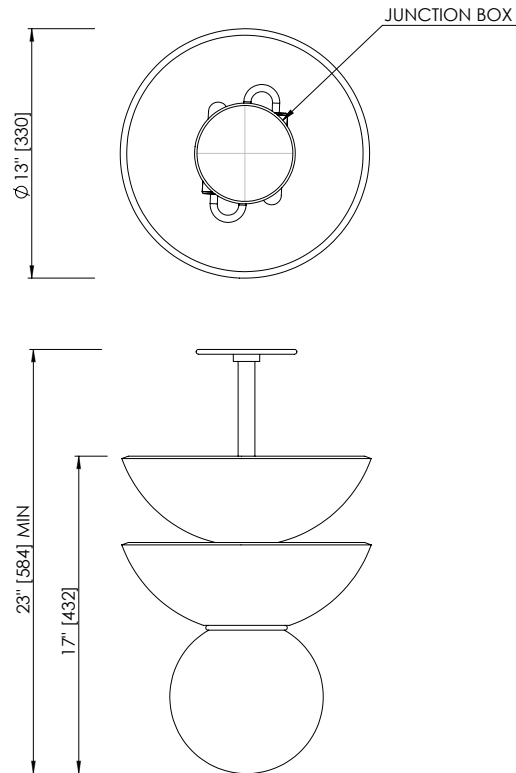
Improper use of the bulbs can result in shattering, causing injury and equipment damage.

NOTE: The important safeguards and instructions appearing in this manual are not meant to cover all possible conditions or situations that may occur. It must be understood that common sense, caution, and care, are factors which cannot be built into any product. These factors must be supplied by the person(s) installing this unit.

Please read through all instructions carefully before attempting fixture installation.

*****Alabaster and Bulbs MUST be applied to fixture AFTER ceiling mount installation.*****

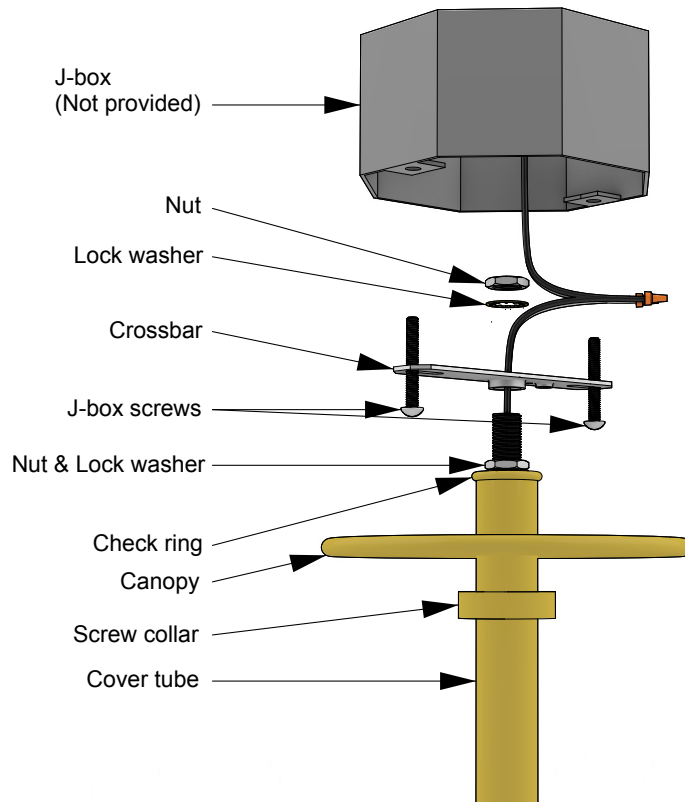
Always wear provided gloves when handling fixture. To avoid damage to metal finish, keep fixture wrapping intact during installation; unwrap areas as needed.



Instructions:

- 1) This fixture ships separately from its stem and alabaster globe. Please locate and inspect all pieces to ensure they are in good condition. Light bulbs and alabaster will be installed AFTER all mechanical and electrical connections are made.
- 2) To install stem; thread electrical wires through lamp pipe; fully tighten lamp pipe to brass coupler at the top of the fixture. Slide cover tube, screw collar, canopy and check ring over lamp pipe, secure stem with check ring, nut and lock washer. Avoid scratches to the metal surface finish.
- 3) Now that the stem is installed, connect fixture to hanging hardware. Secure crossbar to hanging stem as illustrated on page 3. Install crossbar to junction box and make electrical connections following the steps below.
- 4) Connect the NEUTRAL (white) fixture wire to the NEUTRAL (white) wire of the supply circuit and secure.
- 5) Connect the HOT (black) fixture wire to the HOT (black) wire of the supply circuit and secure.
- 6) Place wiring back into the junction box.

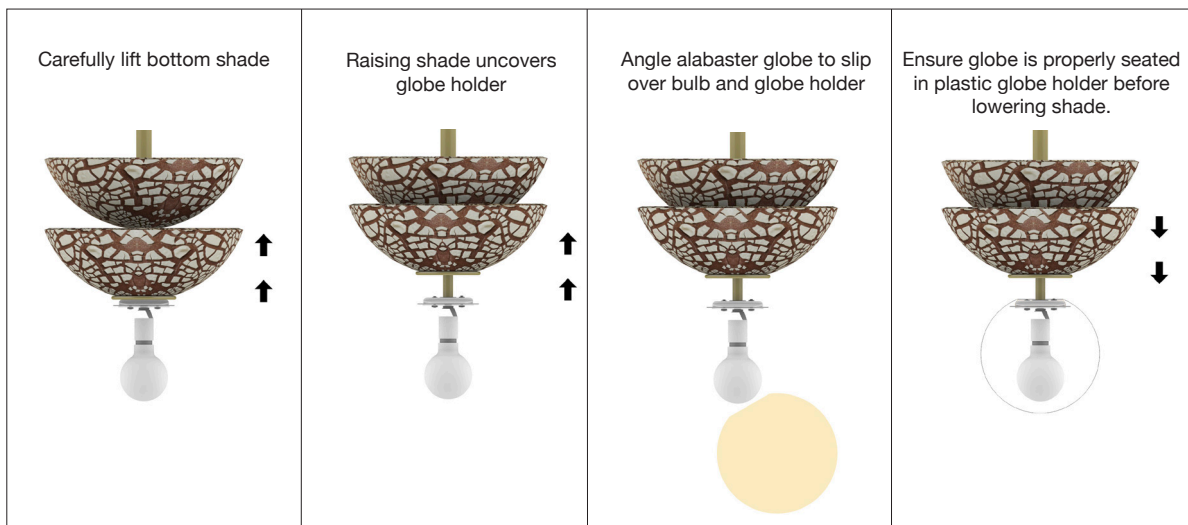
Canopy + Junction Box Connection



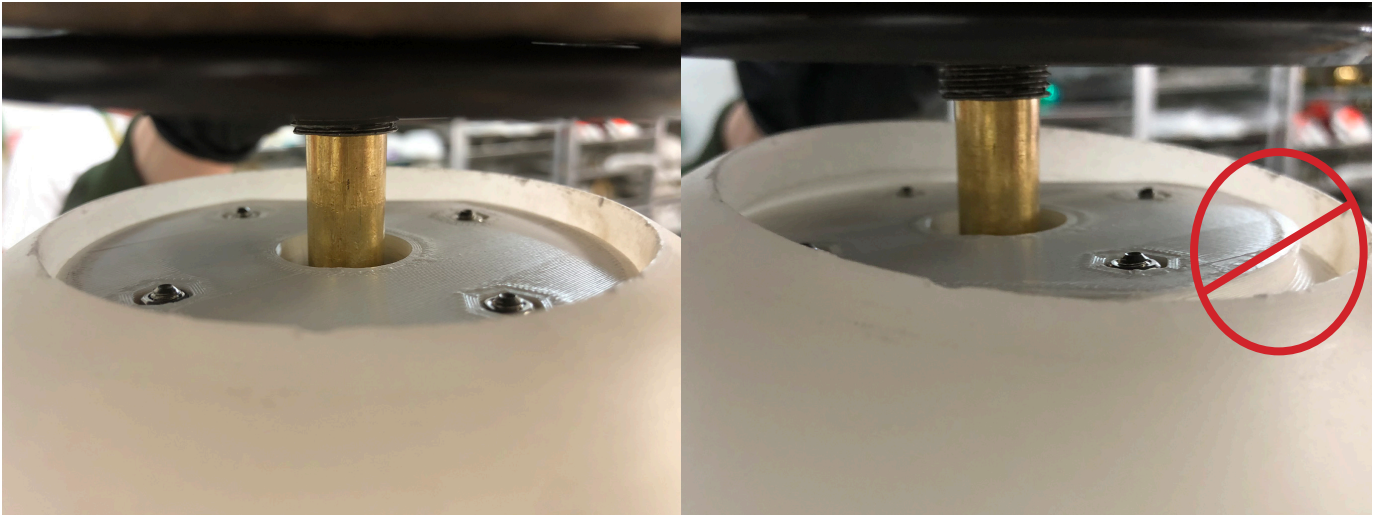
Instructions continued:

- 7) Bring canopy flush with ceiling to close junction box. Affix canopy position with screw collar.
- 8) Install larger E-26 LED light bulb at the bottom of the fixture.
- 9) Carefully lift bottom shade as shown in the diagram below.
- 10) Angle alabaster globe to slide over bulb and globe holder.
- 11) Straighten diffuser before lowering onto globe holder. Ensure globe holder sits snug around alabaster opening (see diagram pg 4).

Installing Alabaster Globe



Globe Holder Seating



Seated correctly

Seated incorrectly

12) Lower shade to capture alabaster globe.

13) Now install 4x smaller E-12 LED bulbs inside of both shades.

Cleaning

Use only soft, dry cloth to dust and clean fixture. Regular cleaning and routine maintenance will reduce the need for deep cleaning. Avoid use of chemicals or abrasive cleaners as it may damage metal and glass finish.