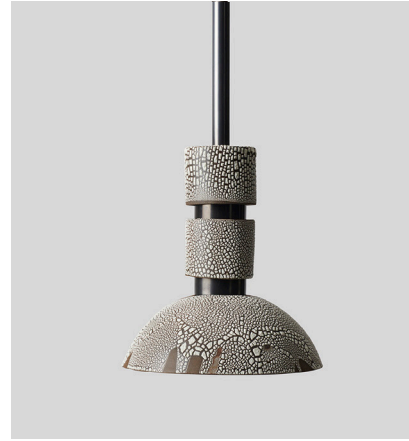


# ROSIE LI



## Pilar Small Round Pendant Installation Instructions

---

### **SAFETY**

**THIS PRODUCT MUST BE INSTALLED IN ACCORDANCE WITH THE APPLICABLE INSTALLATION CODE BY A PERSON FAMILIAR WITH THE CONSTRUCTION AND OPERATION OF THE PRODUCT AND THE HAZARDS INVOLVED**

**BE SURE THE ELECTRICITY TO THE WIRES YOU ARE WORKING ON IS SHUT OFF; EITHER THE FUSE IS REMOVED OR THE CIRCUIT BREAKER IS TURNED OFF. TURNING THE POWER OFF USING THE LIGHT SWITCH IS NOT SUFFICIENT TO PREVENT ELECTRICAL SHOCK.**

**WARNING! – TO REDUCE THE RISK OF FIRE, ELECTRIC SHOCK, OR PERSONAL INJURY:**

**Turn off/unplug lamp and allow to cool before replacing bulb.**

**Do not look directly at lighted bulb.**

**Keep materials that burn easily away from lighted bulb.**

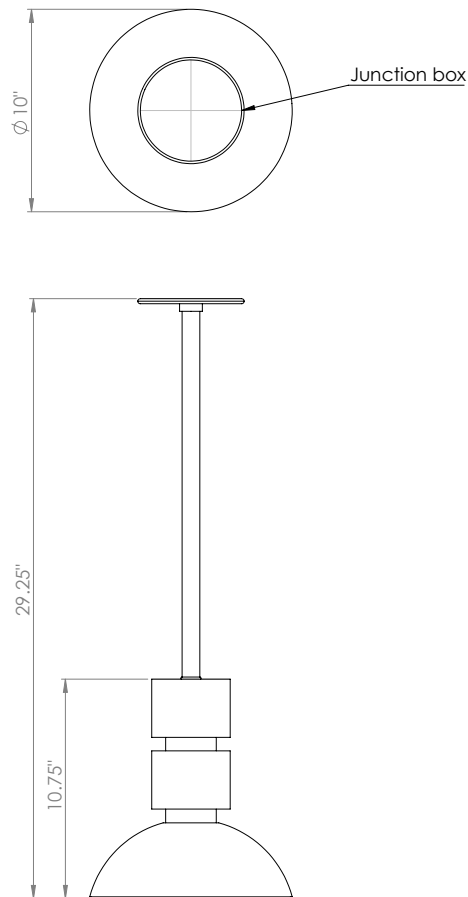
**Improper use of the bulbs can result in shattering, causing injury and equipment damage.**

**NOTE: The important safeguards and instructions appearing in this manual are not meant to cover all possible conditions or situations that may occur. It must be understood that common sense, caution, and care, are factors which cannot be built into any product. These factors must be supplied by the person(s) installing this unit.**

**Please read through all instructions carefully before attempting fixture installation.**

\*\*\*Bulbs MUST be applied to fixture AFTER ceiling mount installation\*\*\*

Always wear provided gloves when handling fixture. To avoid damage to metal finish, keep fixture wrapping intact during installation; unwrap areas as needed.



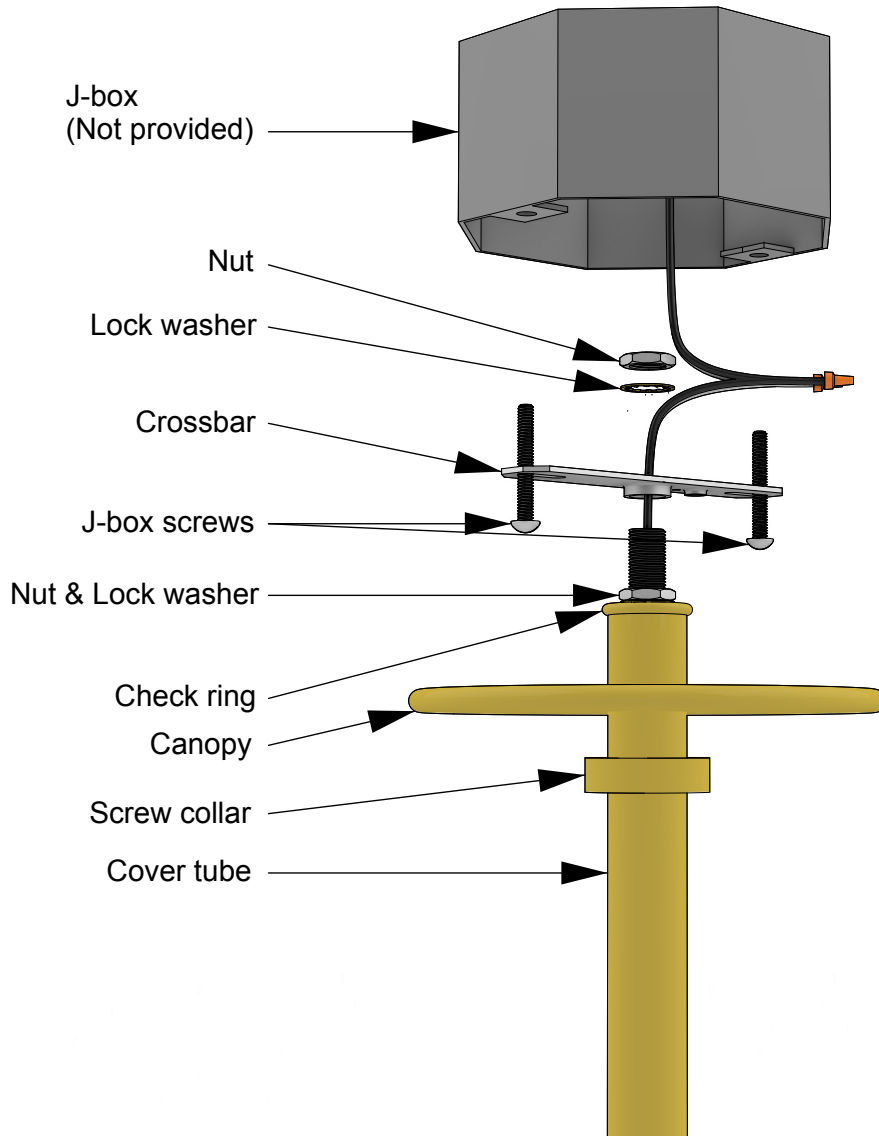
**Instructions:**

- 1) Locate all stem and hanging hardware.
- 2) Fixture is shipped separate from it's stem. To install stem; thread electrical wires through lamp pipe; fully tighten lamp pipe to brass coupler at the top of the fixture. Slide cover tube, screw collar, canopy and check ring over lamp pipe, secure stem with check ring, nut and lock washer.
- 3) Now that the stem is installed, connect fixture to hanging hardware. Secure crossbar to hanging stem as illustrated on page 3. Install crossbar to junction box and make electrical connections following the steps below.
- 4) Connect the NEUTRAL (white) fixture wire to the NEUTRAL (white) wire of the supply circuit and secure.
- 5) Connect the HOT (black) fixture wire to the HOT (black) wire of the supply circuit and secure.
- 6) Place wiring back into the junction box.

7) Bring canopy flush with ceiling to close junction box. Affix canopy position with screw collar.

8) Install bulb.

### Canopy + Junction Box Connection



### **Cleaning**

Use only soft, dry cloth to dust and clean fixture. Regular cleaning and routine maintenance will reduce the need for deep cleaning. Avoid use of chemicals or abrasive cleaners as it may damage metal and glass finish.