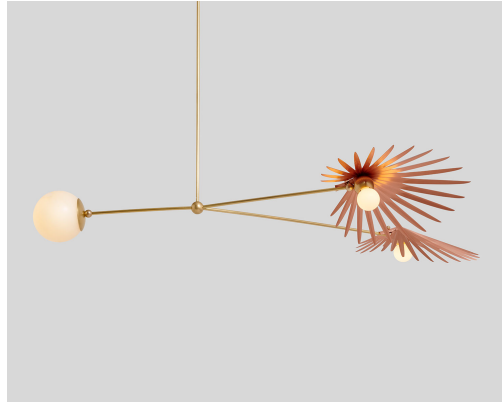


# ROSIE LI



## Inez Chandelier Installation Instructions

---

### **SAFETY**

**THIS PRODUCT MUST BE INSTALLED IN ACCORDANCE WITH THE APPLICABLE INSTALLATION CODE BY A PERSON FAMILIAR WITH THE CONSTRUCTION AND OPERATION OF THE PRODUCT AND THE HAZARDS INVOLVED**

**BE SURE THE ELECTRICITY TO THE WIRES YOU ARE WORKING ON IS SHUT OFF; EITHER THE FUSE IS REMOVED OR THE CIRCUIT BREAKER IS TURNED OFF. TURNING THE POWER OFF USING THE LIGHT SWITCH IS NOT SUFFICIENT TO PREVENT ELECTRICAL SHOCK.**

**WARNING! – TO REDUCE THE RISK OF FIRE, ELECTRIC SHOCK, OR PERSONAL INJURY:**

**Turn off/unplug lamp and allow to cool before replacing bulb.**

**Do not look directly at lighted bulb.**

**Keep materials that burn easily away from lighted bulb.**

**Improper use of the bulbs can result in shattering, causing injury and equipment damage.**

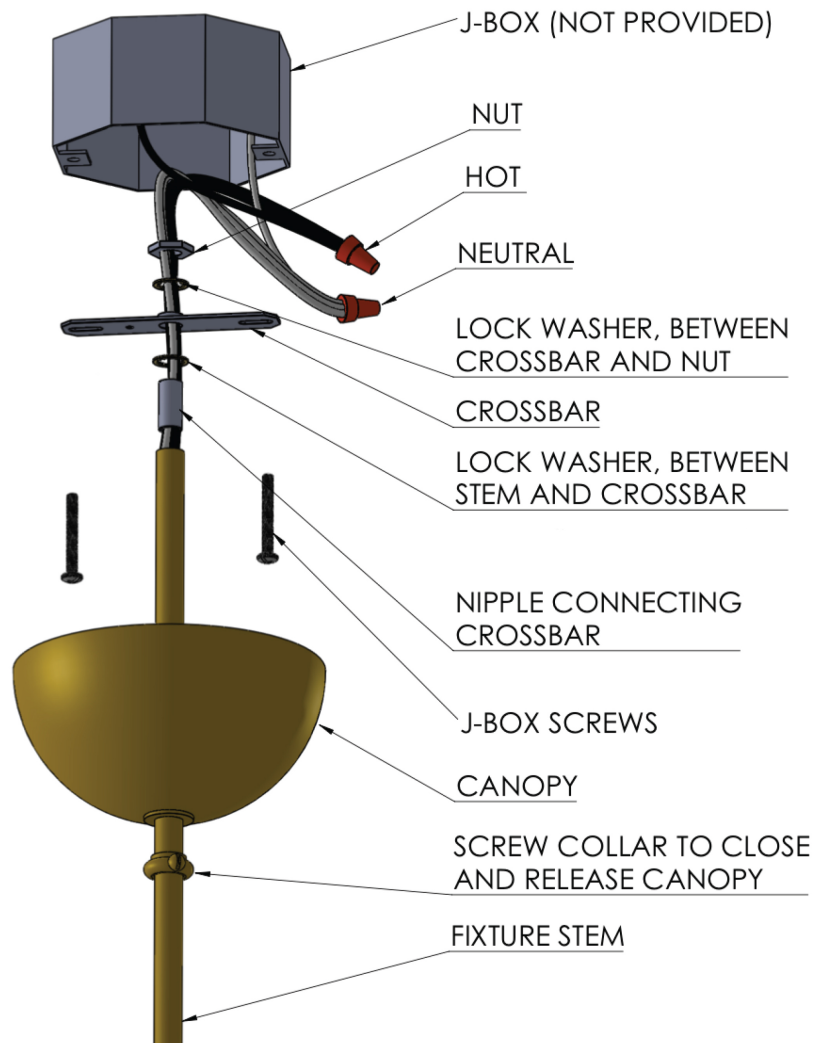
**NOTE: The important safeguards and instructions appearing in this manual are not meant to cover all possible conditions or situations that may occur. It must be understood that common sense, caution, and care, are factors which cannot be built into any product. These factors must be supplied by the person(s) installing this unit.**

Please read through all instructions carefully before attempting fixture installation.

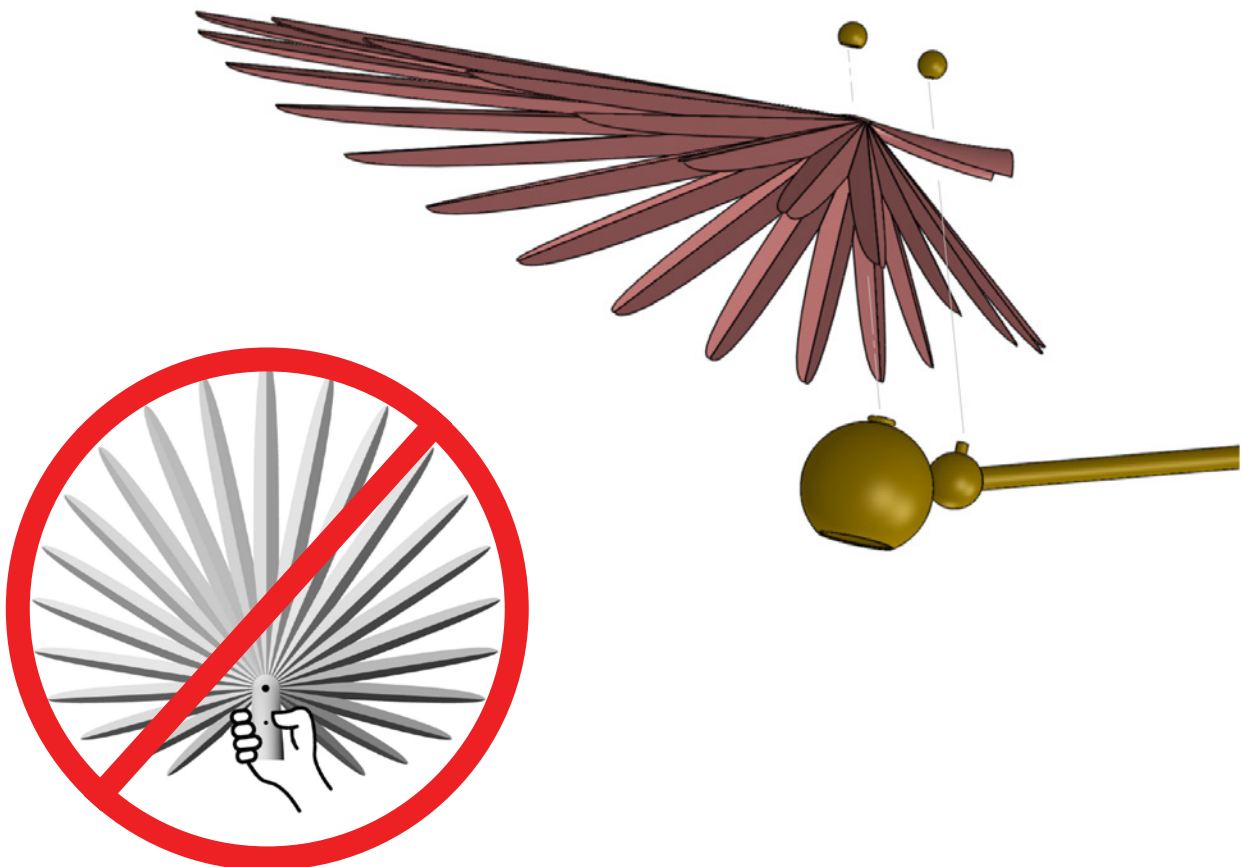
\*\*\*Leaf and glass parts to be applied to fixture AFTER ceiling mount installation.\*\*\*

Always use provided gloves when handling fixture. Take utmost care with leaf and alabaster elements as they are very delicate. Set leaves aside, to be installed later.

- 1) Locate hanging stem and install onto fixture body.
- 2) Locate canopy hanging hardware. Carefully slip screw collar onto hanging stem, followed by the canopy. Avoid scratches to the metal surface finish.
- 3) Install crossbar using lock washer and nut hardware as illustrated. Notice alignment of fixture will depend on the alignment of the crossbar.

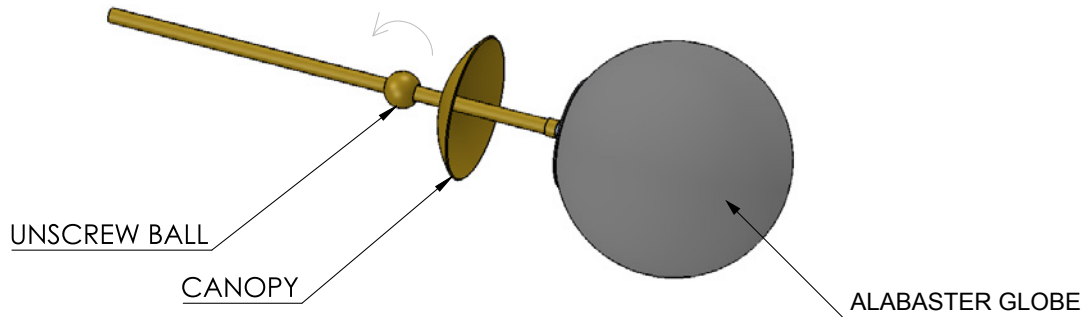


- 4) Prepare the junction box to receive the cross bar.
- 5) Lift fixture and connect crossbar to junction box. Note: fixture will hang tilted prior to leaf installation.
- 6) Connect the GROUND wire of the supply circuit to the GROUND screw.
- 7) Connect the NEUTRAL (white) fixture wire to the NEUTRAL (white) wire of the supply circuit and secure.
- 8) Connect the HOT (black) fixture wire to the HOT (black) wire of the supply circuit and secure.
- 9) Place wiring back in the junction box.
- 10) Remove two 5/8" balls from tips of each arm. Handle with provided gloves.
- 11) Carefully unwrap Palm Leaf diffusers. Two hands are required to handle; DO NOT hold by stem portion only. Use provided gloves when handling.
- 12) Install Palm Leaf diffusers. Fixture stem will now be vertical.
- 13) Bring canopy flush with ceiling to close junction box. Affix canopy position with screw collar.

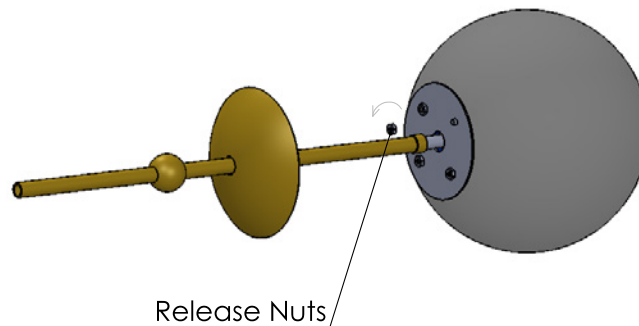


## Alabaster Globe Installation

Each Inez Chandelier ships with an alabaster globe attached. Handle the globe with care and place on a padded surface. To re-service the lamp located within the globe, follow the instructions below:

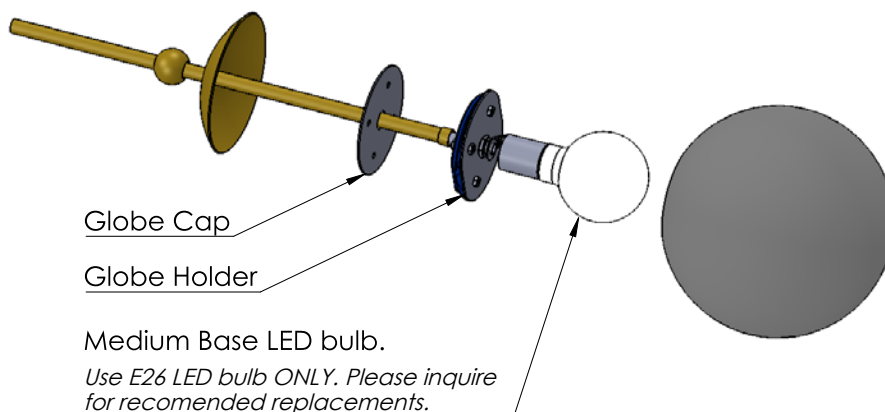


1) Unscrew ball finial and carefully slide back, releasing the fitter canopy.



2) Remove the 4x nuts located on the back of the holder to release the globe cap.

3) Once globe cap is released, carefully separate the alabaster globe from the globe holder hardware. If replacing bulb, use a E-26 LED bulb ONLY. We do not recommend incandescent bulbs as heat buildup may discolor the natural stone color.



## **Alabaster Globe Installation**

4) To reinstall the alabaster globe, place back onto the globe holder and ensure it is seated properly. Move the globe cap back into position and screw the 4x nuts in firmly to capture.

5) Slide the fitter canopy back into position. Screw in the ball finial to close.

## **Cleaning**

Use only soft, dry cloth to dust and clean fixture. Regular cleaning and routine maintenance will reduce the need for deep cleaning. Avoid use of chemicals or abrasive cleaners as it may damage metal and glass finish.